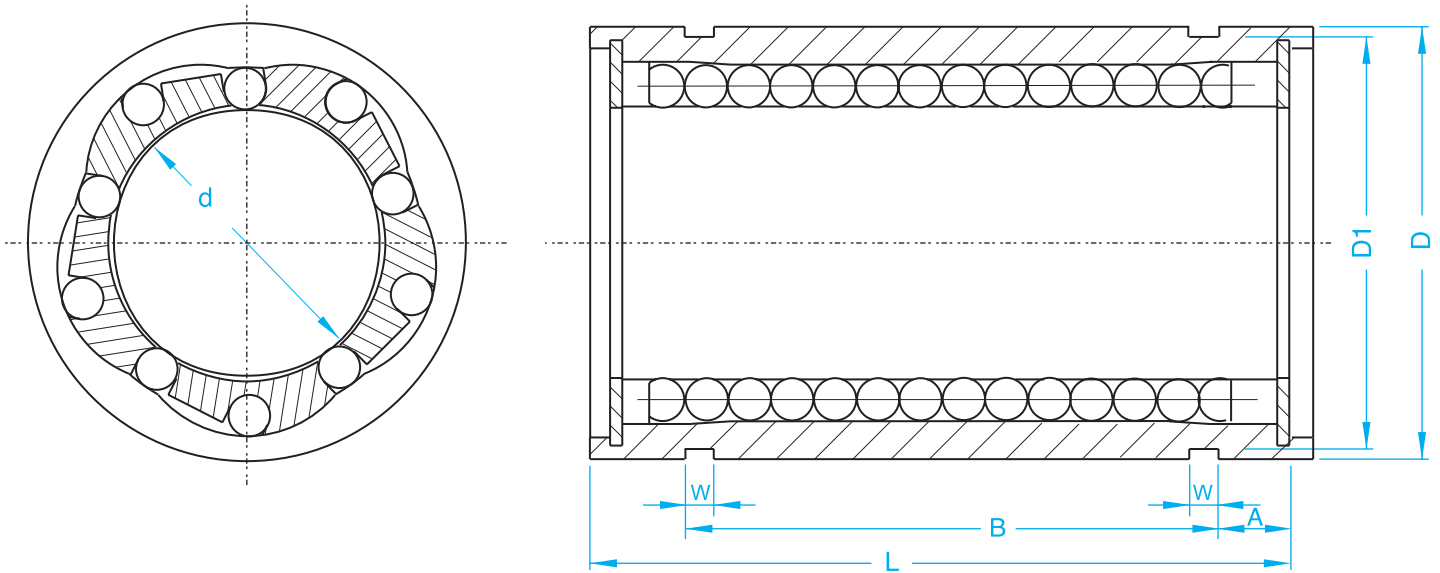


Standard Type



Unit : mm

Model No.	Basic Dimension									Load (Kgf)		Weight(g)
	d	D	D tolerance (μm)	L	L tolerance (μm)	W	D1	B	A	Dynamic load rating (Ca)	Static load rating (Coa)	
LM6LUU	6	12	0	35	0 -30	1.1	11.5	27	4	32	53	16
LM8LUU	8	15	-13	45		1.1	14.3	35	5	44	80	31
LM10LUU	10	19	0	55		1.3	18	44	5.5	59	112	62
LM12LUU	12	21	-16	57		1.3	20	46	5.5	66	122	80
LM16LUU	16	28		70		1.6	27	53	8.5	125	240	145
LM20LUU	20	32	0	80	0 -40	1.6	30.5	61	9.5	143	280	180
LM25LUU	25	40	-19	112		1.85	38	82	15	159	320	440
LM30LUU	30	45		123		1.85	43	89	17	254	560	580
LM40LUU	40	60	0	151		2.1	57	121	15	350	820	1170
LM50LUU	50	80	-22	192		2.6	76.5	148	22	620	1622	3100

Note : UU with oil seals in ends